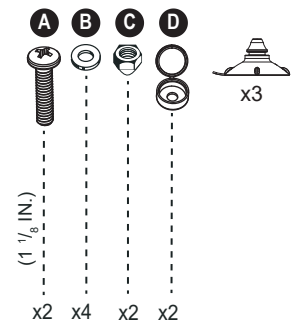


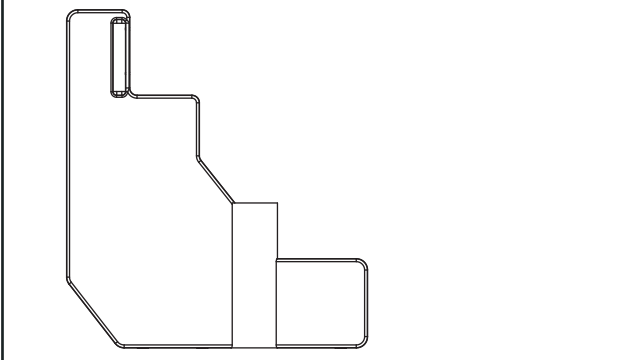
# ROYAL ENTRANCE II: SAFETY FENCE

## Contents of the box

SCREW KIT 140-0074

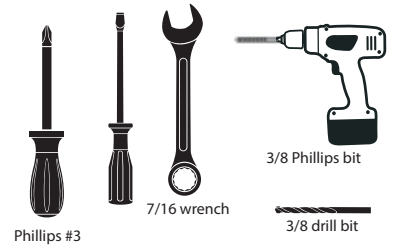


## Safety fence



## Required tools

(not included)



## ⚠ WARNING

- ▶ Do not swim behind the step!
- ▶ The safety fence must be installed as per manufacturer's instructions.
- ▶ To prevent entrapment and drowning, keep a maximum of 2" between the pool wall and the safety fence.
- ▶ Use BATTERY operated tools to avoid electric shock near water.
- ▶ Failing to install the Step Cup™ system will greatly reduce the steadiness of the safety fence and will void the manufacturer warranty.
- ▶ To prevent pool liner puncture, install the Step Cups™ provided.



**A1)** Insert half of the Step Cup mushroom ring in the hole, at a 45 degree angle.

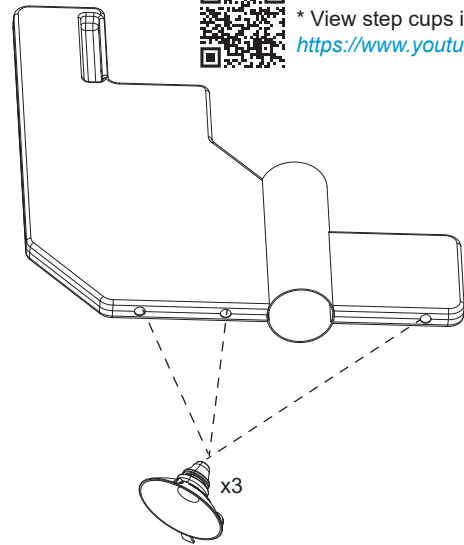
**A2)** With a flat screwdriver, compress the Step Cup mushroom ring while pushing it into the hole.



**A3)** Twist the Step Cup to ensure that the mushroom ring has entirely cleared the wall thickness. If it has, the suction cup should rotate freely.

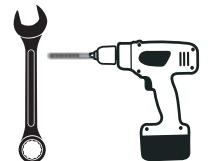
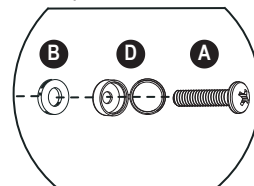
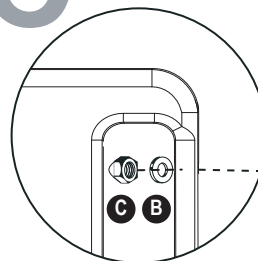


\* View step cups installation tips on YouTube:  
<https://www.youtube.com/watch?v=W5RH1VNxpu0>

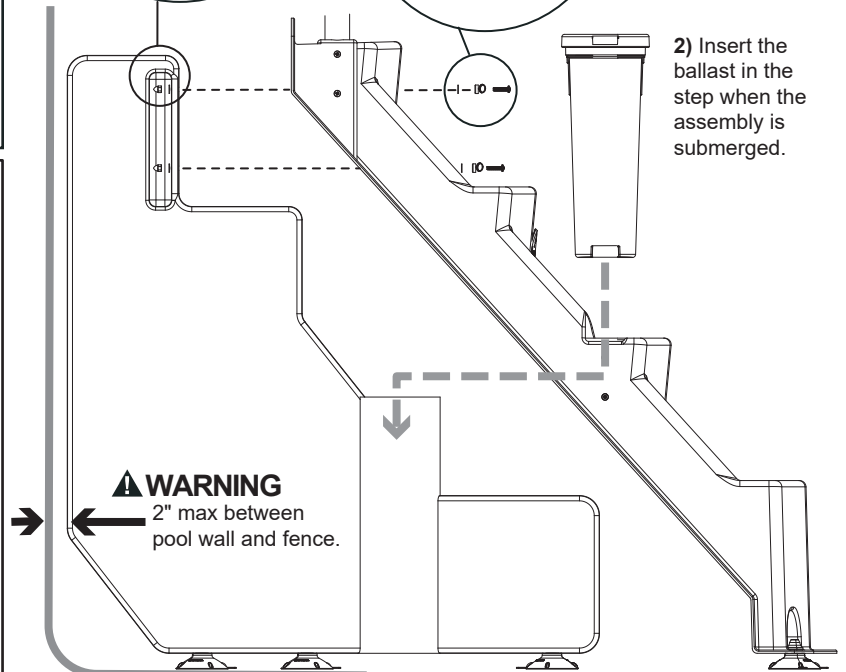


## C

**1)** Fasten the safety fence with the screws, nuts, washers, and plastic screw caps as illustrated.

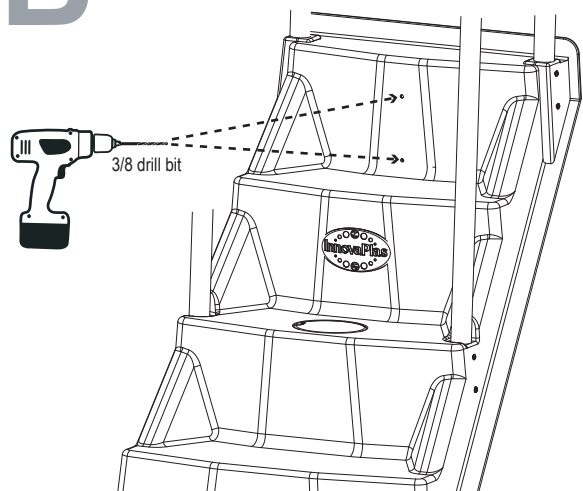


**2)** Insert the ballast in the step when the assembly is submerged.



## B

**1)** Locate the two indents on the top step riser. Use the indents to locate and drill two 3/8" holes.



## MANUFACTURER WARRANTY

**1 year on safety fence.  
1 year on hardware.**