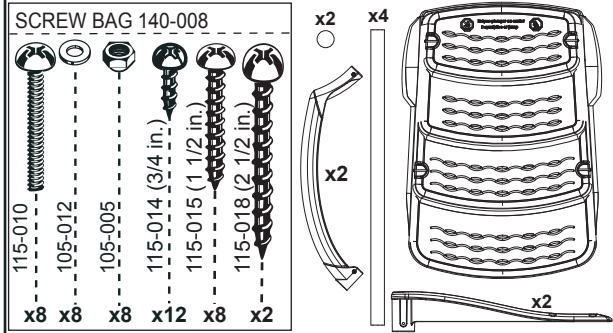
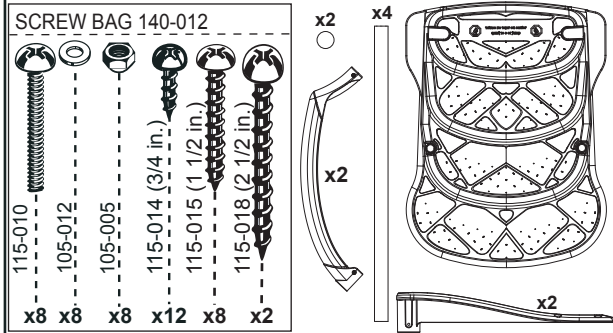


OPERA or FIESTA DECK

Contents of Fiesta box # 1001



Contents of Opera box # 1016



Sand (Not included)



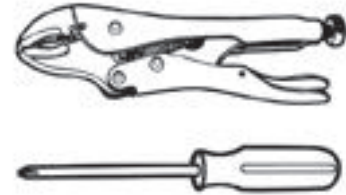
! WARNING

- ◆ Do not dive or jump from step or ladder.
- ◆ Use BATTERY operated tools to avoid electric shocks.
- ◆ Install step on flat surface, following the manufacturers instructions.
- ◆ Remove step from pool during freezing climate season.
- ◆ Manufacturer cannot be held responsible for injuries caused by abusive use of product.
- ◆ Ask your city about specific regulations that apply to your above-ground pool and ladder.

Required tools

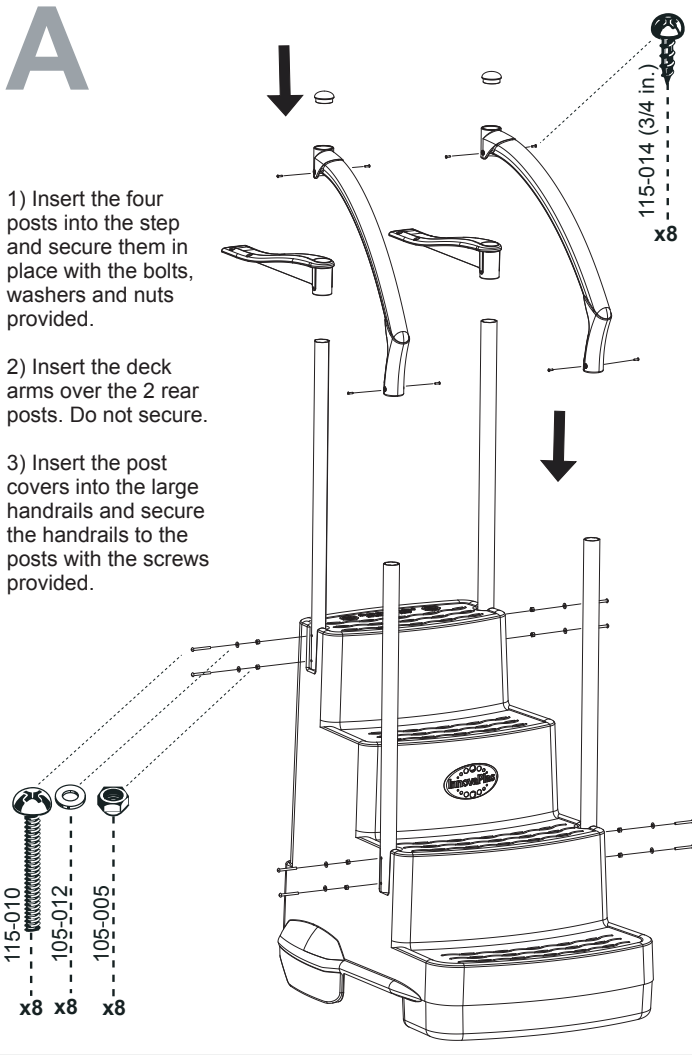
(not included)

Use small locking pliers / vice grip or a wrench 7/16"



A

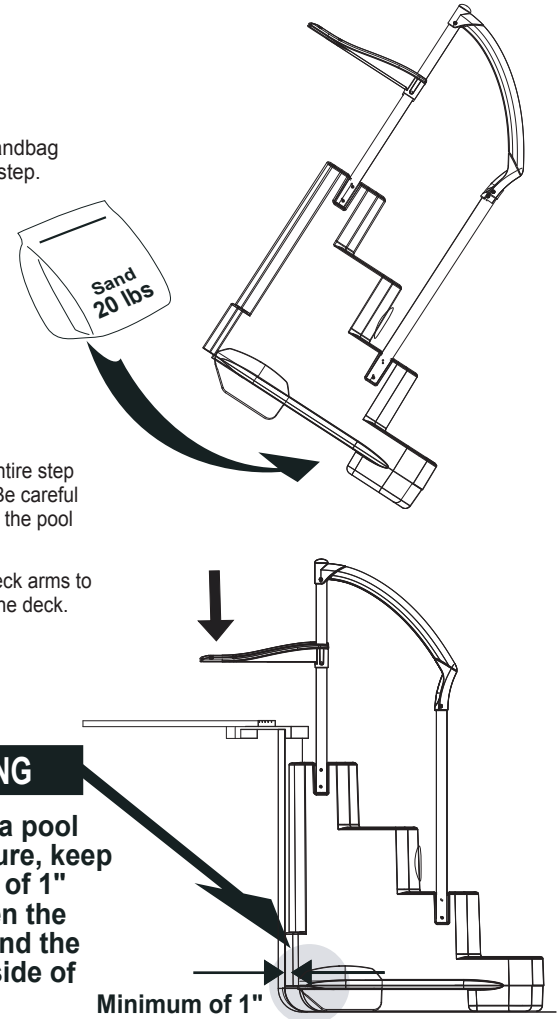
- 1) Insert the four posts into the step and secure them in place with the bolts, washers and nuts provided.
- 2) Insert the deck arms over the 2 rear posts. Do not secure.
- 3) Insert the post covers into the large handrails and secure the handrails to the posts with the screws provided.



B

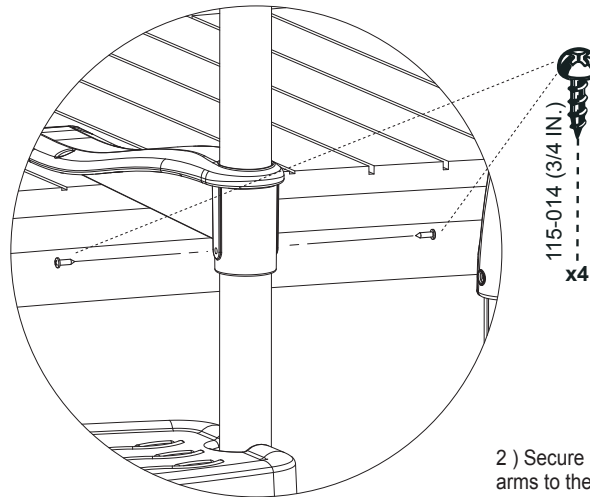
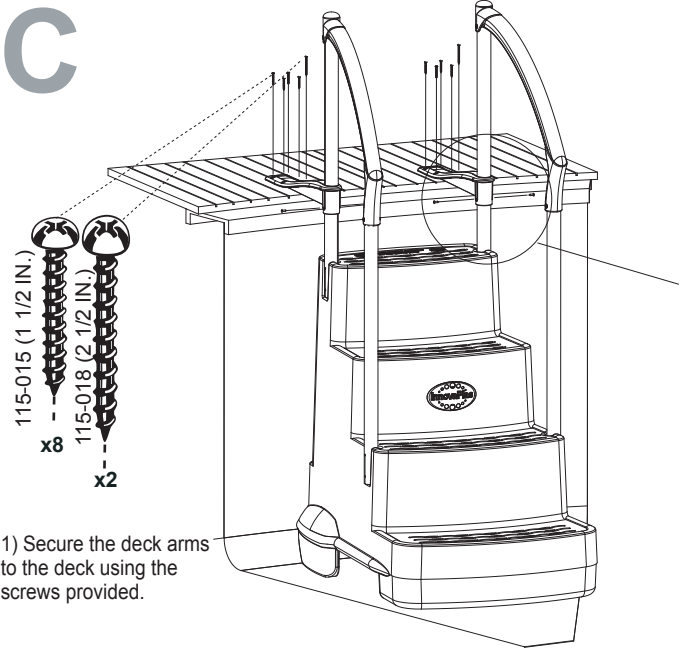
- 1) Insert the sandbag under the first step.
- 2) Insert the entire step into the pool. Be careful not to damage the pool liner.
- 3) Slide the deck arms to the height of the deck.

WARNING
To prevent a pool liner puncture, keep a minimum of 1" gap between the pool liner and the rear underside of the step.



C

- 1) Secure the deck arms to the deck using the screws provided.



- 2) Secure the deck arms to the posts with the screws provided.

